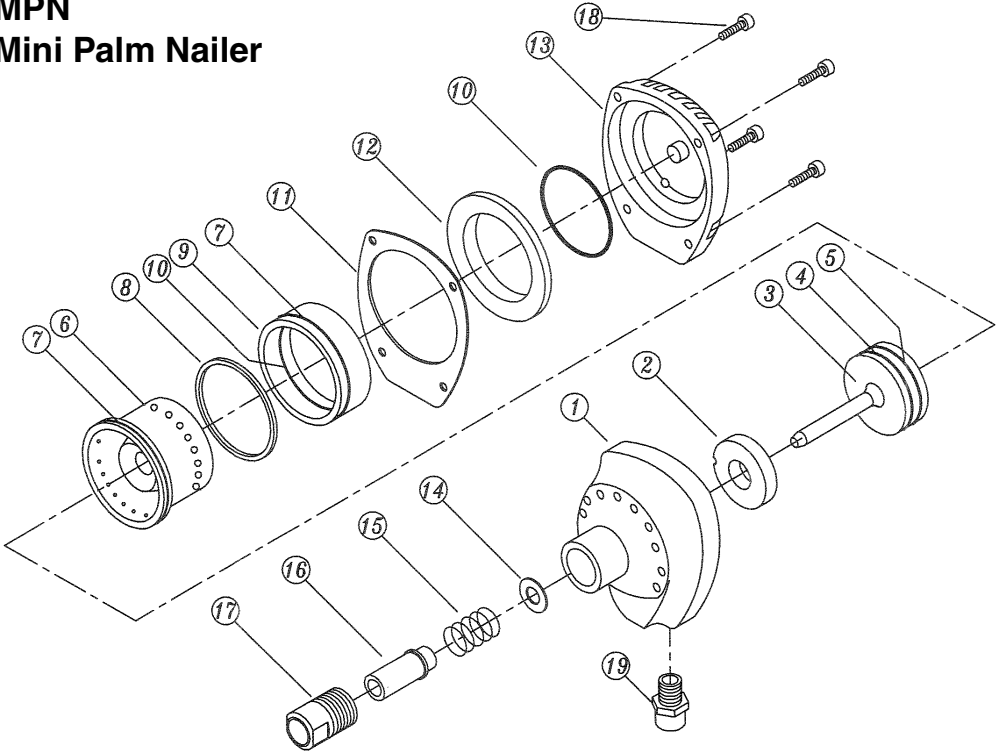


Parts Drawing & Parts List

MPN Mini Palm Nailer



NO.	ORDER NO.	DESCRIPTION	QTY	NO.	ORDER NO.	DESCRIPTION	QTY
1	21201	Body	1	11	21212	Gasket	1
2	21202	Damping Rubber	1	12	21213	Valve Packing	1
3	21203	Piston	1	13	21214	Cover	1
4	21205	O-Ring	1	14	21215	Spring Washer	1
5	21206	O-Ring	1	15	21216	Spring	1
6	21207	Cylinder	1	16	21217	Guide Bushing (8.3mm)	1
7	21208	O-Ring	2	17	21218	Guide Box	1
8	21209	Rubber Ring	1	18	89817	Screw	4
9	21210	Valve	1	19	88123A2	Air Inlet	1
10	21211	O-Ring	2				

8-1-14