

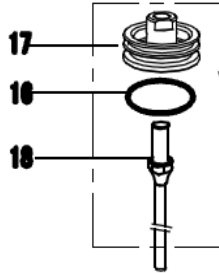
CN55-15 Parts Kits List

Rev 03-01-15

ICB No. 98460 (CN55K1) O-Ring/Gasket Kit contains:

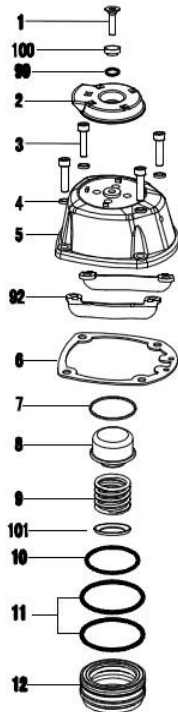
#10	510570	O-RING 41.2X3.55	1	#26	510670	O-RING 50X1.8	1	#72	510210	O-RING 6.3X1.8	1
#11	510700	O-RING 53X2.65	2	#47	510320	O-RING 10X2.65	1	#73	510180	O-RING 5.8X1.9	1
#16	510510	O-RING 37.5X3.55	2	#48	510430	O-RING 20X2.65	1	#76	510410	O-RING 18.3X2.65	1
#21	511030	O-RING 73X2.65	1	#58	510090	O-RING 4X1.5	1	#77	510380	O-RING 16X1.8	1
#23	520130	CYLINDER SEAL	1	#68	510030	O-RING 2.5X1.4	2	#6	520310	GASKET	1
#24	510680	O-RING 50X2.65	1	#70	510240	O-RING 8.6X1.9	1				

ICB No. 98465 (CN55K2) Piston/Driver Assembly Kit contains:



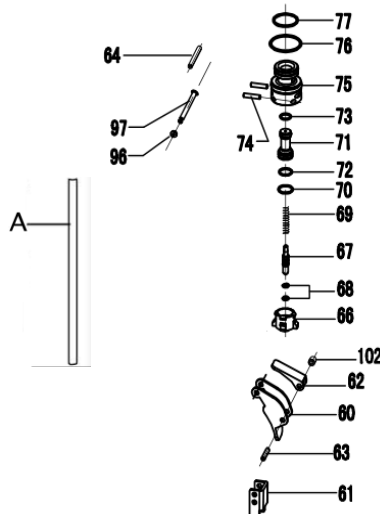
#16	510510	O-RING 37.5X3.55	1
#17	310310	PISTON	1
#18	321410	DRIVER BLADE	1

ICB No. 98470 (CN55K3) Head Cap Assembly Kit contains:



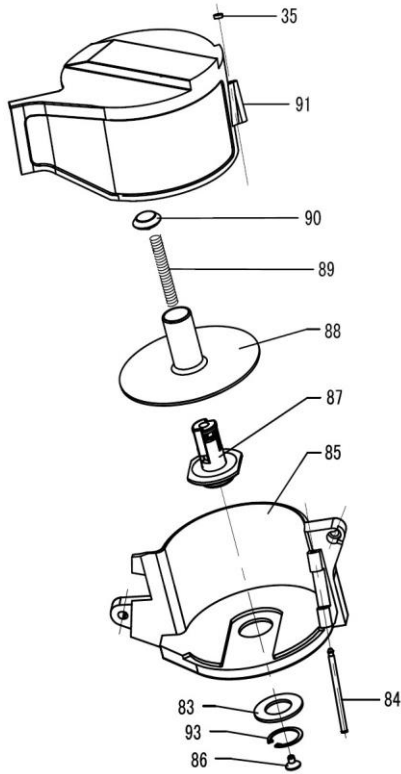
#1	610560	BOLT M6X20	1
#2	320750	EXHAUST COVER	1
#3	610220	BOLT M6X25	4
#4	630070	SPRING WASHER	4
#5	110290	CYLINDER CAP	1
#7	320460	RING	1
#8	410230	PISTON STOP	1
#9	620010	COMPRESSION SPRING	1
#10	510570	O-RING 41.2X3.55	1
#11	510700	O-RING 53X2.65	2
#12	310170	HEAD VALVE PISTON	1
#92	321380	SIDE PROTECTOR	2
#99	510280	O-RING 9X2	1
#100	323180	WASHER	1
#101	321540	SPRING SEAT	1
#6	520310	GASKET	1

ICB No. 98475 (CN55K4) Trigger Valve Assembly with Trigger Kit contains:



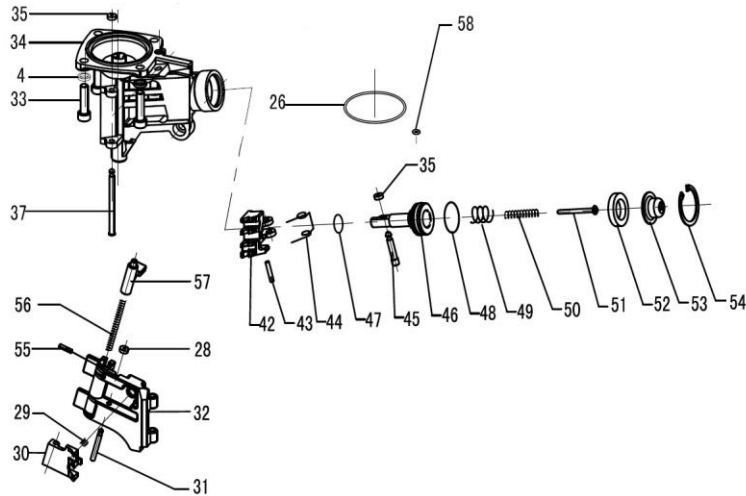
#60	320570	TRIGGER	1	#73	510180	O-RING 5.8X1.9	1
#62	320560	CONTACT PLATE	1	#74	640250	STRAIGHT PIN B3X15	2
#63	640340	ROLL PIN 3X16	1	#75	420090	TRIGGER VALVE CAGE	1
#64	640180	ROLL PIN 3X30	1	#76	510410	O-RING 18.3X2.65	1
#66	420080	TRIGGER VALVE CAP	1	#77	510380	O-RING 16X1.8	1
#67	320110	TRIGGER STEM	1	#96	410880	STRAIGHT PIN CAP	1
#68	510030	O-RING 2.5X1.4	2	#97	323140	STRAIGHT PIN	1
#69	620050	TRIGGER VALVE SPRING	1	A	STRAIGHT PIN		1
#70	510240	O-RING 8.6X1.9	1	#102	TRIGGER SLEEVE		1
#71	330010	TRIGGER VALVE BUSHING	1				
#72	510210	O-RING 6.3X1.8	1				

ICB No. 98480 (CN55K5) Magazine Assembly Kit contains:



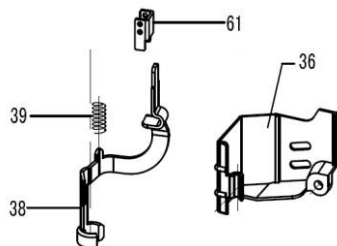
#35	420170	PIN CAP A	1
#83	410430	RUBBER WASHER	1
#84	321420	MAGAZINE PIN	1
#85	420870	MAGAZINE	1
#86	420240	SPRING HOLDER B	1
#87	420860	MAGAZINE POST	1
#88	420850	NAIL SUPPORT PLATE	1
#89	620650	MAGAZINE SPRING	1
#90	420520	SPRING HOLDER A	1
#91	421580	MAGAZINE COVER	1
#93	630220	SNAP RING 25	1

ICB No. 98485 (CN55K6) Guide Body Assembly Kit contains:



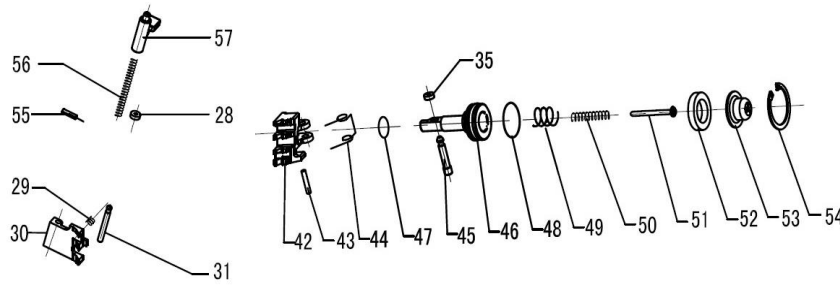
#28	420160	PIN CAP B	1	#33	610210	BOLT M6X22	4	#54	630050	SNAP RING	1
#29	620600	CHECK PAWL SPRING	1	#34	210350	NOSE	1	#55	640080	ROLL PIN 3X12	1
#30	210410	CHECK PAWL	1	#35	420170	PIN CAP A	2	#56	620240	LATCH SPRING	1
#31	321400	CHECK PAWL PIN	1	#37	321300	DOOR PIN	1	#57	210700	LATCH	1
#32	210400	DOOR	1	#4	630070	SPRING WASHER	4	#26	510670	O-RING 50X1.8	1
								#58	510090	O-RING 4X1.5	1
				#42	210390	FEED PAWL	1				
				#43	640340	ROLL PIN 3X16	1				
				#44	620610	FEED SPRING	1				
				#45	320210	FEED PAWL PIN	1				
				#46	321390	FEED PISTON	1				
				#47	510320	O-RING 10X2.65	1				
				#48	510430	O-RING 20X2.65	1				
				#49	620120	FEED PISTON SPRING A	1				
				#50	620130	FEED PISTON SPRING B	1				
				#51	320280	SPRING GUIDE	1				
				#52	410440	FEED PISTON BUMPER	1				
				#53	320590	FEED PISTON CAP	1				

ICB No. 98486 (CN55K7) Safety Kit contains:



#36	420180	GUARD COVER	1
#38	321290	SAFETY	1
#39	620640	SAFETY SPRING	1
#61	322730	SAFETY BRACKET	1

ICB No. 98487 (CN55K8) Feeder Kit contains:



#28	420160 PIN CAP B	1	#42	210390 FEED PAWL	1	#47	510320 O-RING 10X2.65	1
#29	620600 CHECK PAWL SPRING	1	#43	640340 ROLL PIN 3X16	1	#48	510430 O-RING 20X2.65	1
#30	210410 CHECK PAWL	1	#44	620610 FEED SPRING	1	#49	620120 FEED PISTON SPRING A	1
#31	321400 CHECK PAWL PIN	1	#45	320210 FEED PAWL PIN	1	#50	620130 FEED PISTON SPRING B	1
#35	420170 PIN CAP A	1	#46	321390 FEED PISTON	1	#51	320280 SPRING GUIDE	1
						#52	410440 FEED PISTON BUMPER	1
						#53	320590 FEED PISTON CAP	1
						#54	630050 SNAP RING	1
						#55	640080 ROLL PIN 3X12	1
						#56	620240 LATCH SPRING	1
						#57	210700 LATCH	1

ICB No. 98488 (CN55K9) Bumper Kit contains:



#27 410210 BUMPER 1