

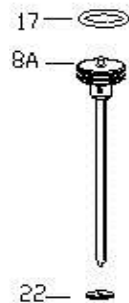
# NB5018 Parts Kits List

Rev 07/24/2015

## ICB No. 98670 (NB5018K1) O-ring/Gasket Kit contains:

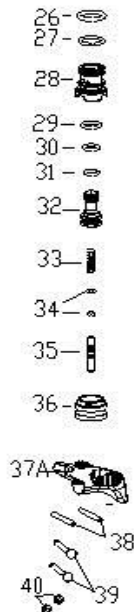
#6	21030130000	Gasket, Cap	1		
#8	21030190017	Seal	1	#26	30700079000 O-Ring 12.42X1.78 1
#10	30700125000	O-Ring 14.7X1.9	1	#27	30700081000 O-Ring 12.37X2.61 1
#11	30700120000	O-Ring 31.5X2.0	2	#29	30700002000 O-Ring 5.79X1.9 1
#14	30700126000	O-Ring 26.64X2.62	1	#30	30700201000 O-Ring 6.8X1.9 1
#16	30700044000	O-Ring 49.5X2.0	1	#31	30700071000 O-Ring 8.79X1.9 1
#17	30700119000	O-Ring 22.4X3.1	1	#34	30700080000 O-Ring 2.49X1.4 2
#19	30700013000	O-Ring 30.7X3.5	1	#71	30700136000 O-Ring 3.50X1.5 1

## ICB No. 98671 (NB5018K2) Piston/Driver Assembly Kit contains:



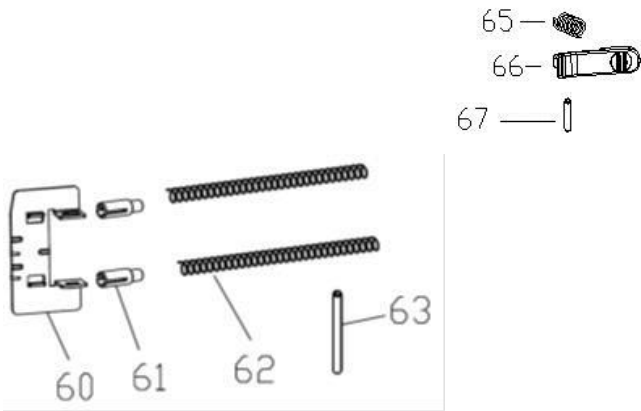
#17	30700119000	O-Ring 22.4X3.1	1
#18A	21030461200	Driver Assembly	1
#22	21030480101	Driver Guide	1

## ICB No. 98672 (NB5018K4) Trigger Valve Assembly with Trigger Kit contains:



#26	30700079000	O-Ring 12.42X1.78	1
#27	30700081000	O-Ring 12.37X2.61	1
#28	20770900016	Valve	1
#29	30700002000	O-Ring 5.79X1.9	1
#30	30700201000	O-Ring 6.8X1.9	1
#31	30700071000	O-Ring 8.79X1.9	1
#32	20770910016	Valve Plunger	1
#33	20770960001	Spring	1
#34	30700080000	O-Ring 2.49X1.4	2
#35	22220920100	Plunger	1
#36	20770930016	Plunger Cap	1
#37A	22220952215	Trigger Assembly	1set
#38	30803240001	Spring Pin	2
#39	20460890001	Pin Trigger	2
#40	30700078000	Grommet 2.15X2	2

**ICB No. 98673 (NB5018K8) Feeder Kit contains:**



#60	20252130101	Pusher	1
#61	20252240016	Spring Lock	2
#62	21802210001	Spring	2
#63	30803360001	Pin	1
#65	21702330001	Spring	1
#66	21702280115	Latch	1
#67	30803160001	Pin	1